

BT-2364

1. Instruction

BT series bi-telecentric lenses represent the key component of any measurement system powered by machine vision.

It's easy to select the right lens for your application by means of its part number: for any given product part number, i.e a BT-2364 features a field of view of 64 (x 48) mm with a 2/3" camera sensor.

Wide field depth for large object displacements;

Excellent resolution for small pixel cameras;

Very low distortion for accurate measurements;

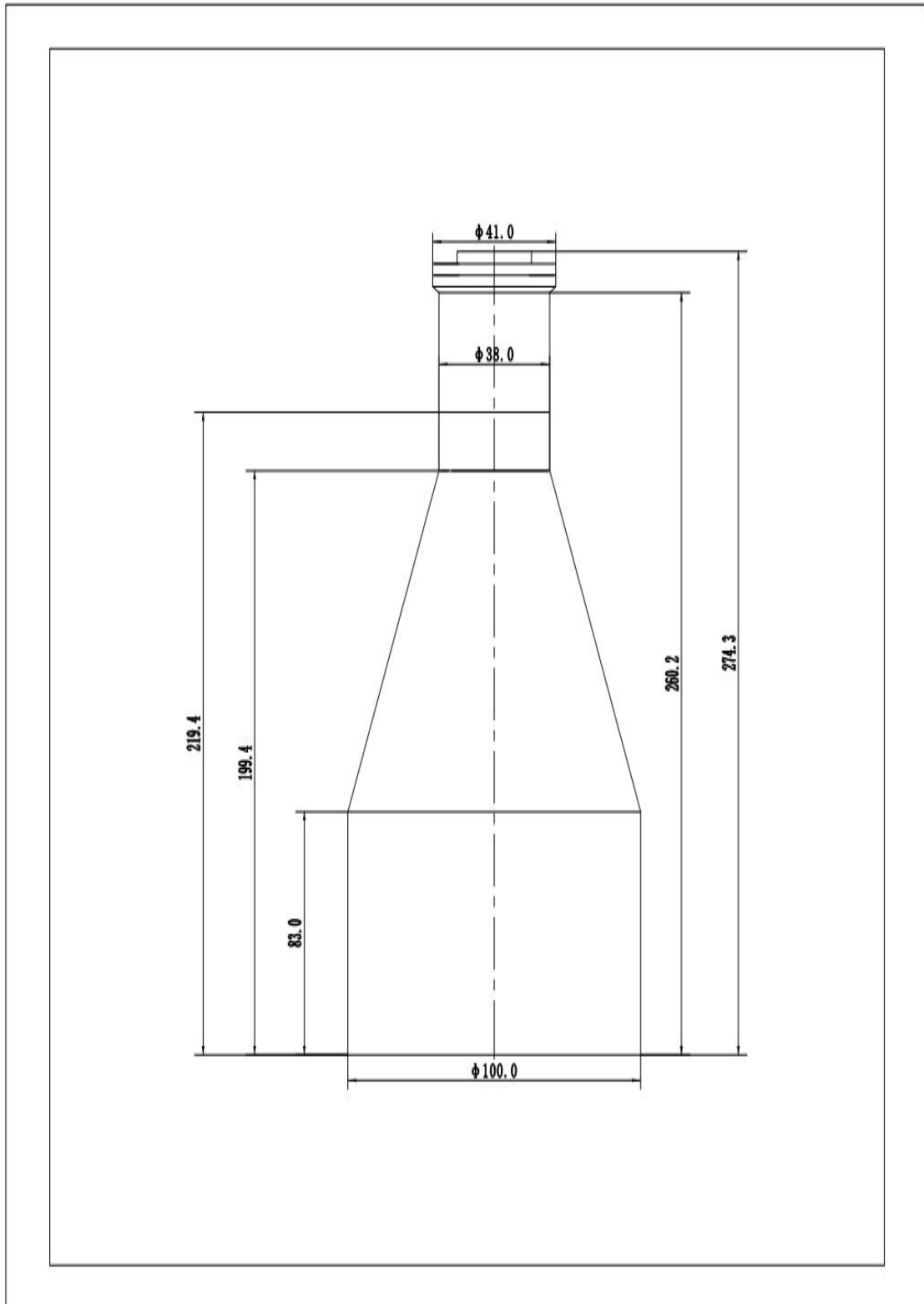
The standard C mount options perfectly suitable for 2/3" and the other less than 2/3" cameras.



2. System Parameter

Part number			BT-2364
Mag.(x)			0.138
Detector type(mm) w *h	CCD	1/3"	34.9*26.2
		1/2"	46.8*34.9
		2/3"	64.0*48.0
F#			8
Telecentricity Typical(max) (deg.)			<0.05
W.D. (mm)			182.3±3%
Field Depth (mm)			18
Distortion Typical(max) (%)			<0.08(0.10)
Mount			C
Length (mm)			274.3
Dian Φ (mm)			100
Weight (kg)			1.84

3. Sketch map



Hot line: 400-0651-516 Tel: 029-83262398

Beijing: 010-51296331 Shenzhen: 075-25900740

Contact us for details: 3rd Floor E, 1st Plant, New Urban Science Technology Industry Park, Gaoxin District, Xi'an China 710043