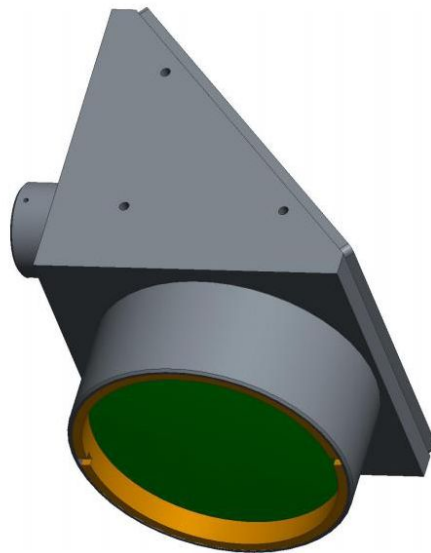


BT-TCL80/x

1. Instruction

LTCL collimated illuminators have been specifically designed to back illuminate objects imaged by telecentric lenses.

This type of illumination is strongly recommended for high accuracy measurement of round or cylindrical parts where diffusive back lighting would offer poor performances.



2. System Parameter

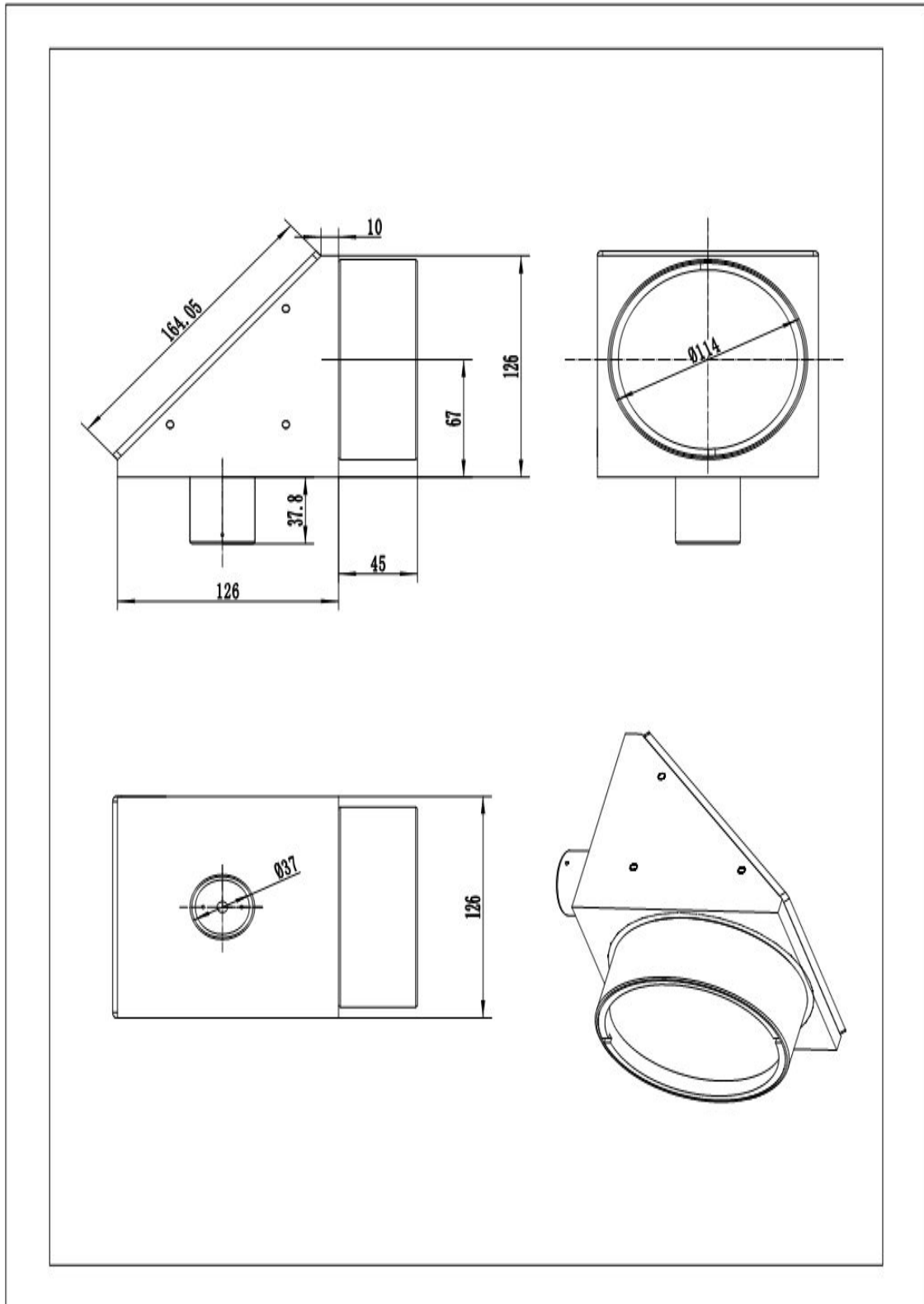
Part number		BT-TCL80/x
Beam diameter (mm)		100
Light color	/R	
	/G	x
	/B	
	/W	x
Mechanical specifications	length (mm)	171
	width (mm)	163.8
	height (mm)	126
Compatible telecentric lenses	BT-123xxx	12380
	BT-DPxx	80x
Parallelism (°)		<0.1°
Power consumption		<3W

Hot line: 400-0651-516 Tel: 029-83262398

Beijing: 010-51296331 Shenzhen: 075-25900740

Contact us for details: 3rd Floor E, 1st Plant, New Urban Science Technology Industry Park, Gaoxin District, Xi'an China 710043

3. Sketch map



Hot line: 400-0651-516 Tel: 029-83262398

Beijing: 010-51296331 Shenzhen: 075-25900740

Contact us for details: 3rd Floor E, 1st Plant, New Urban Science Technology Industry Park, Gaoxin District, Xi'an China 710043