

BT-F144

1. Instruction

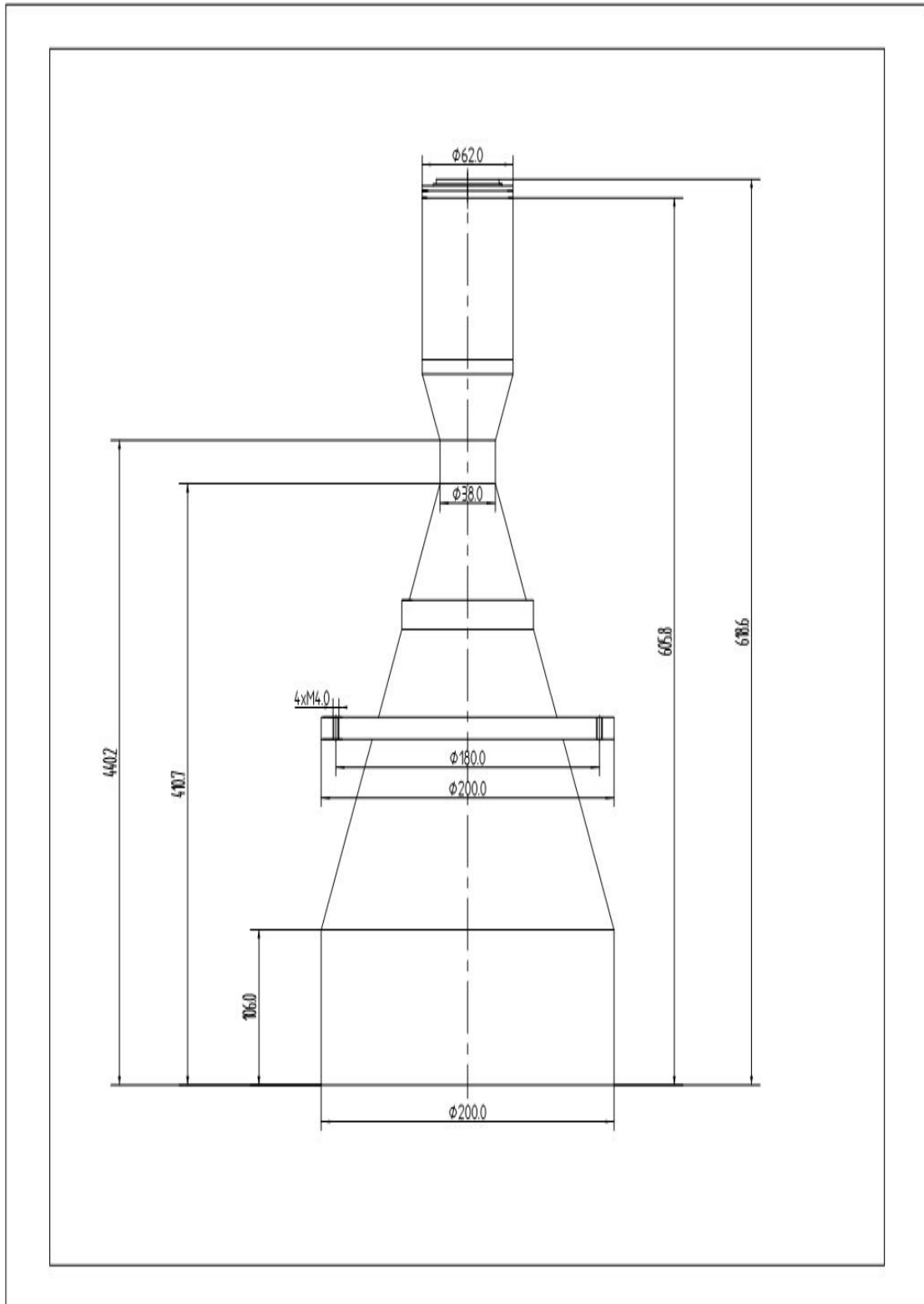
BT-F series bi-telecentric lens have been specifically designed to fit 35mm format(36×24mm) detectors with very high resolution, such as 11, 16 or 29MPX. This series bi-telecentric lens are also perfectly suitable for 2kpx、4kpx and 6kpx lines can cameras.



2. System Parameter

Part number		BT-F144	
Mag.(x)		0.254	
Detector type(mm)	35mm w*h	147.1*98.1	
	Line scan	Line -2K (14 μ ·28.672)	116.0
		Line -4K (7 μ ·28.672)	116.0
		Line -6K (7 μ ·43.008)	175.0
F#		16	
Telecentricity Typical(max) (deg.)		<0.05	
W.D. (mm)		398 \pm 3%	
Field Depth (mm)		19	
Distortion Typical(max) (%)		<0.08(0.10)	
Mount		F	
Length (mm)		618.6	
Dian Φ (mm)		200	
Weight (kg)		8.8	

3. Sketch map



Hot line: 400-0651-516 Tel: 029-83262398

Beijing: 010-51296331 Shenzhen: 075-25900740

Contact us for details: 3rd Floor E, 1st Plant, New Urban Science Technology Industry Park, Gaoxin District, Xi'an China 710043